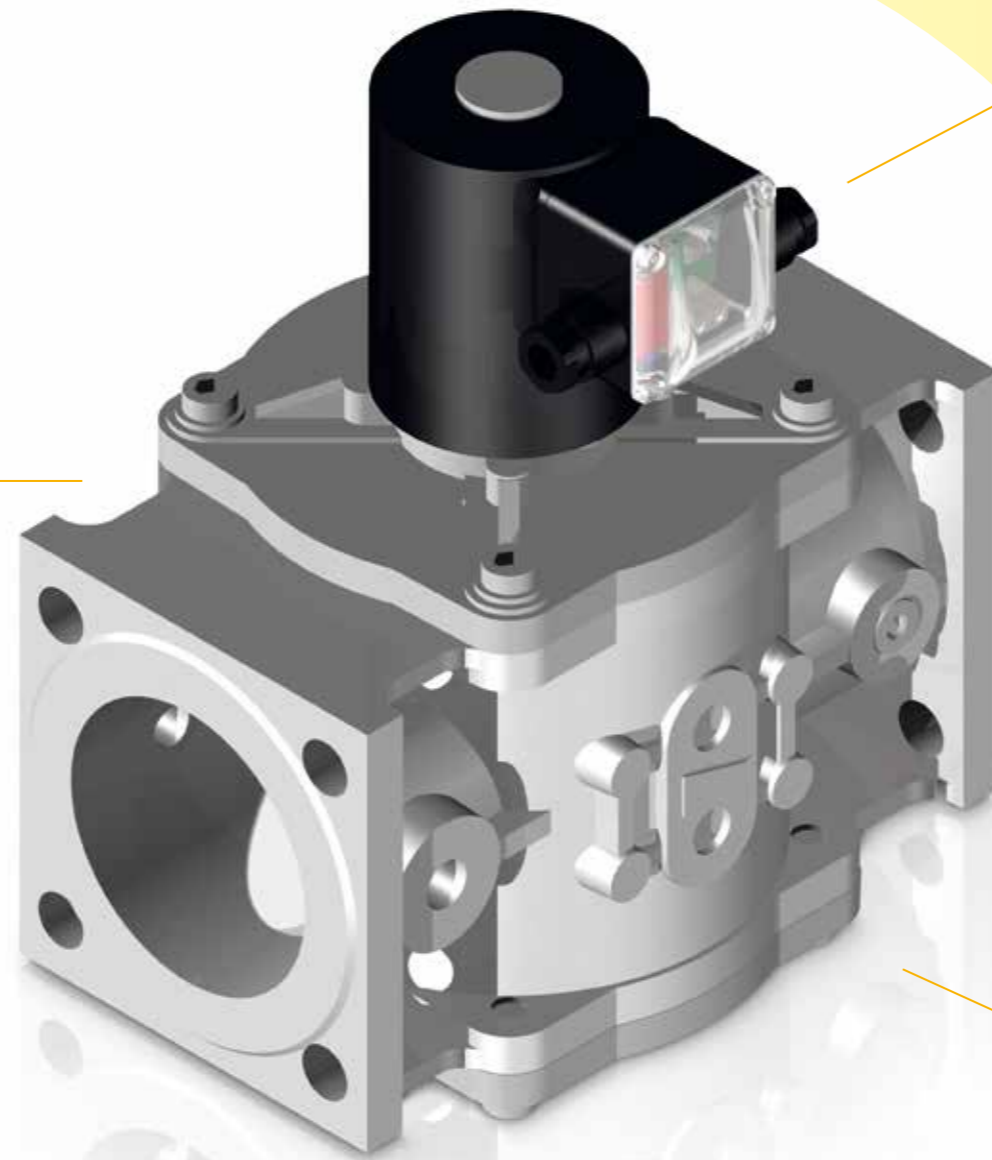


INDUSTRIAL . AUTOMOTIVE . AUTOMATION . ENERGY

EFFECTIVE ENERGY SOLUTIONS



INTELLIGENT SOLUTIONS FOR MORE EFFICIENCY AND SAFETY



CE AND EN 161 CERTIFIED

ENERGY SAVING MODULE WITH LED INDICATION

FLANGE OR THREAD CONNECTION

DN 15 UP TO DN 300

HIGH-PRECESSION ALUMINUM OR STEEL HOUSING

QUALITY AND INNOVATIONS FROM GERMANY

FOUNDED IN 1974, PETERS INDU PRODUKT HAS DEVELOPED INTO A COMPANY THAT OPERATES ON AN INTERNATIONAL BASE. PERFECTION IS OUR CONSTANT AIM AND TECHNICAL KNOWLEDGE IS THE TOOL WE USE TO ACHIEVE IT. WITH THIS STRATEGY, WE HAVE DEVELOPED A STANDARD OF QUALITY THAT HAS CONTINUALLY CONVINCED CUSTOMERS WORLDWIDE. WE ARE CONSTANTLY EXPANDING OUR PRODUCT PORTFOLIOS IN THE INDUSTRIAL, AUTOMOTIVE, AUTOMATION AND ENERGY FIELDS. MOREOVER, WE DEVELOP TAILOR-MADE SOLUTIONS THAT SUIT THE NEEDS OF OUR CUSTOMERS – RIGHT FROM THE INITIAL IDEA TO THE FINISHED PRODUCT.

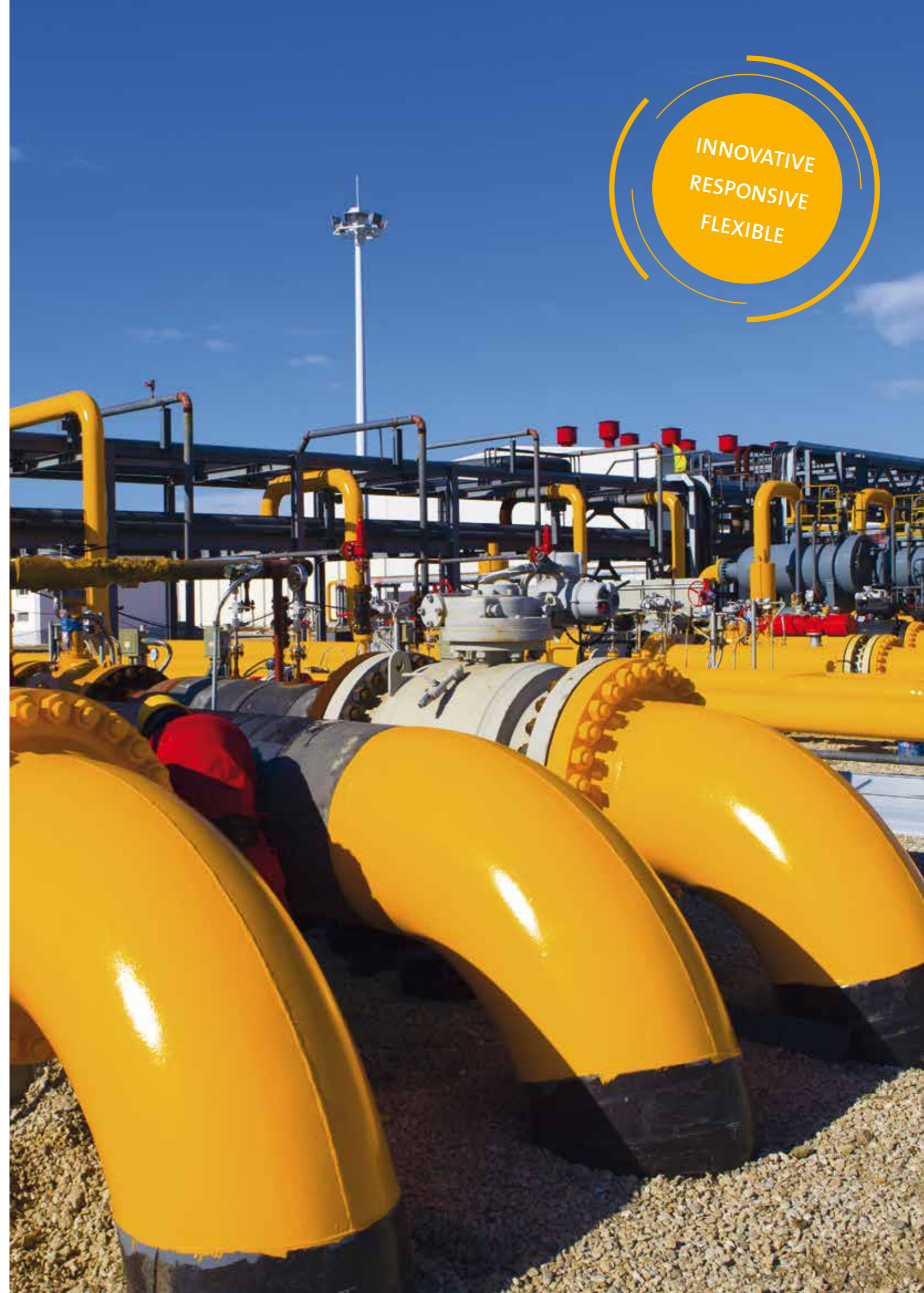
ENERGY



Our “Energy” business field comprises **safety valves, gas filters, regulators and PWM energy-saving modules** for liquids and gas families 1, 2 and 3 and other non-aggressive gases. We test our products thoroughly and ensure **that they function perfectly within a broad outdoor temperature range from $-30\text{ }^{\circ}\text{C}$ to $+70\text{ }^{\circ}\text{C}$** . Their ability to be combined makes them ideal for use in gas burners, gas engines, gas distribution and many other applications. Our entire range of products is synonymous with **outstanding quality and reliability**.

Please feel free to contact us if you have any questions.

INNOVATIVE
RESPONSIVE
FLEXIBLE



GAS SAFETY VALVE – PH/PF-SERIES

SINGLE STAGE VERSION

Gas Safety Valve
DN 15 up to DN 20 EN 161



Gas Safety Valve
DN 65 up to DN 300 EN 161



DETAILS

- _ Position indicator optional
- _ EN 161, class A
- _ Normally closed/normally open (DN 15, 20, 25)
- _ DN 15 to DN 300
- _ Fast open – fast close
- _ 24 VDC or 230 VAC
- _ ED 100%
- _ Puls Width Module equipped
- _ 200 mBar up to 6 Bar
- _ Aluminum or Steel housing
- _ -30 °C up to +70 °C/-45 °C up to +70 °C upon request
- _ IP65 protection class
- _ Threaded or flange connection

GAS SAFETY VALVE – PH-SERIES

DUAL STAGE VERSION

Gas Safety Valve
DN 20 dual stage



Gas Safety Valve
DN 50 dual stage



DETAILS

- _ Position indicator optional
- _ EN 161, class A
- _ Normally closed
- _ DN 20 to DN 50
- _ Fast open – fast close
- _ 24 VDC or 230 VAC
- _ ED 100%
- _ Puls Width Module equipped
- _ 200 mBar up to 3 Bar
- _ Aluminum or Steel housing
- _ -30 °C up to +70 °C/-45 °C up to +70 °C upon request
- _ IP65 protection class
- _ Threaded or flange connection

GAS SAFETY VALVE SLOW OPEN MODE

Gas Safety Valve
DN 25 slow open mode



Gas Safety Valve
DN 65 slow open mode



DETAILS

- _ EN 161, class A
- _ Normally closed
- _ Slow open – fast close
- _ DN 25 to DN 100
- _ Aluminum housing
- _ 5 to 40 seconds opening time
- _ 1 sec closing time
- _ 24 VDC or 230 VAC
- _ ED 100%
- _ Pulse Width Module equipped
- _ -30 °C up to +70 °C / -45 °C up to +70 °C upon request
- _ IP65 protection class
- _ 500 mBar up to 6 Bar
- _ Threaded or flange connection

GAS MODULATING VALVE PM-SERIES

Gas Modulating Valve
DN 65



DETAILS

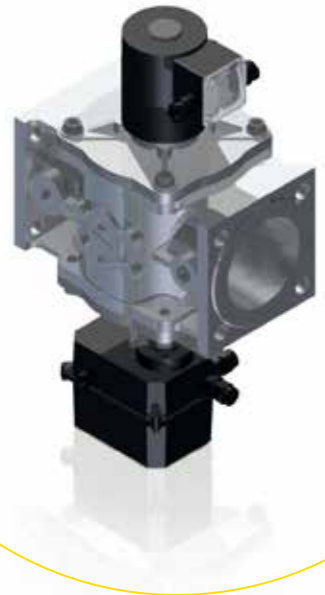
- _ DN 40 to DN 100
- _ Proportional signal (3 step)
- _ 2 way signal (2 step)
- _ Switch frequency 40/hr
- _ Service interval 200.000 cycles
- _ Aluminum or Steel housing
- _ Resistance transmitter
100 Ohm/2 kOhm or 4 to 20 mA
- _ -30 °C up to +70 °C
- _ Rated pressure max. 6 Bar
- _ 230 VAC
- _ Power consumption 20 W
- _ Threaded or flange connection
- _ Return spring

GAS SAFETY VALVE WITH MODULATING FUNCTION

Gas Safety Valve
DN 40 with modulating function



Gas Safety Valve
DN 65 with modulating function



DETAILS

- _ EN 161, class A
- _ DN 40 to DN 300
- _ Threaded or flange connection
- _ Aluminum or Steel housing
- _ 500 mBar up to 3 Bar pressure range
- _ Position indicator optional
- _ 24 VDC or 230 VAC (coil) ED 100%
- _ 24 VDC, 0,4 W to 1 W power consumption (Actuator)
- _ Switch frequency 500/hr
- _ Resistance transmitter
100 Ohm/2k Ohm or 4 to 20 mA
- _ -30 °C up to +70 °C
- _ IP65 Valve/IP54 Actuator

GAS FILTERS FT-SERIES

Gas Filters
FT-Series DN 20



Gas Filters
FT-Series DN 65



DETAILS

- _ DN 15 to DN 300
- _ Threaded or flange connection
- _ Aluminum or Steel housing
- _ Rated pressure 6 Bar max
- _ FCI-Module (electronically filter contamination indicator) or mechanical indicator with inspection window
- _ Pore width 50 µm
- _ Differential pressure 100 mBar
- _ Ambient temperature -30 °C up to +90 °C

ENERGY SAVING MODULE FOR OPTIMISED POWER MANAGEMENT IN SOLENOID VALVES

PWM
Energy Saving Module

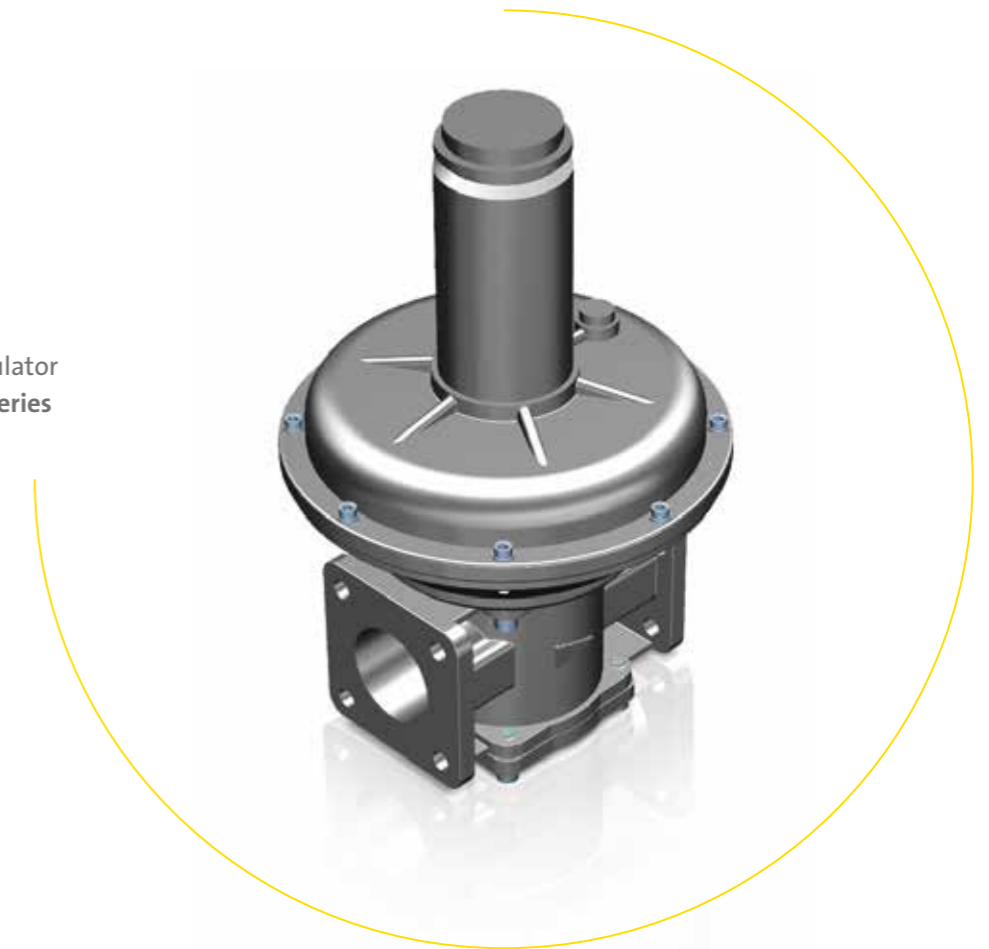


DETAILS

- _ Software-based module to optimise the power consumption of solenoids
- _ Build-in or adapter version
- _ Improved fluid performance
- _ Decreasing the heat of the coil
- _ Up to 92% energy savings
- _ Useable for most solenoids
- _ Operating voltage from 6 VDC up to 400 VAC
- _ Max power 2000 W (VA)

REGULATORS PR-SERIES

Regulator
PR-Series



DETAILS

- _ EN 88, class A
- _ DN 15 to DN 100
- _ Max. operating pressure 0,5 Bar or 6 Bar
- _ Accuracy: $\pm 10\%$
- _ $-30\text{ }^{\circ}\text{C}$ to $+70\text{ }^{\circ}\text{C}$ ($-40\text{ }^{\circ}\text{C}$ upon request)
- _ Aluminum
- _ Safety relief valve optional

ORDER KEY VALVES

1. SERIES

P – Series

2. VERSION

H – normally closed

F – normally open

M – modulating

3. MATERIAL

A – Aluminum

S – Steel

C – Cast Iron

4. NOMINAL DIAMETER (DN)

15, 20, 25, 32, 40, 50, 65, 80, 100, 150, 200, 250, 300

NOTE:

DN 15 to DN 20 Threaded

DN 25 to DN 50 Threaded or Flange, Please indicate **F** for flange (i.e. 25F)

DN 65 to DN 300 Flange

5. VOLTAGE

A – 230 VAC

D – 24 VDC

6. TYPE

H – single stage

B – dual stage

C – liquid

M – with electric power drive

T – 1 Stage slow opening mode

7. PRESSURE RANGE

02 – 200 mBar

05 – 500 mBar

1 – 1 Bar

2 – 2 Bar

3 – 3 Bar

4 – 4 Bar

6 – 6 Bar

8. ACCESSORIES

X – without any accessories

K – with gas flow adjustment

P – position indicator

E – EX proof

EXAMPLES FOR
ORDER KEY VALVES

P H A 25 A H 1 K

P H A 25 F A H 1 K

ORDER KEY GAS FILTERS

1. SERIES

FT – Gas Filter Series

2. NOMINAL DIAMETERS (DN)

A – (Aluminum) **15, 20, 25, 40, 50, 65, 80, 100**

S – (Steel) **25, 40, 50, 65, 80, 100, 150, 200, 250, 300**

C – (Cast Iron) **150, 200**

NOTE:

DN 15 to DN 20 Threaded

DN 25 to DN 50 Threaded or Flange, Please indicate **F** for flange (i.e. 25F)

DN 65 to DN 300 Flange

3. VERSION

A – Short Type

B – 1 Long Type

C – 2 Long Type

4. PRESSURE RANGE

3 – 3 Bar

6 – 6 Bar

EXAMPLES FOR
ORDER KEY GAS FILTERS

FT A 25 A 3

FT A 25 F A 3

ORDER KEY REGULATORS

1. SERIES

PR – Peters regulator (PR-Series)



2. NOMINAL DIAMETERS (DN)

15, 20, 25, 40, 50, 65, 80, 100, 150, 200, 250, 300

(F for flange version)



3. PRESSURE RANGE

A – 0.5 Bar

B – 6 Bar



4. VERSION

X – standard version

C – with safety relief



5. OUTLET PRESSURE RANGE (mbar)

for A – 0.5 Bar Version

1 – brown – 2.5 to 9

2 – white – 5 to 13

3 – orange – 5 to 20

4 – blue – 10 to 30

5 – red – 25 to 55

6 – yellow – 30 to 70

7 – black – 60 to 110

8 – pink – 100 to 150

9 – grey – 140 to 200

for B – 6 Bar Version

A – Range A

B – Range B

C – Range C

D – Range D



EXAMPLES FOR ORDER KEY REGULATORS

PR 50 A C 3

PR 50 F A C 3

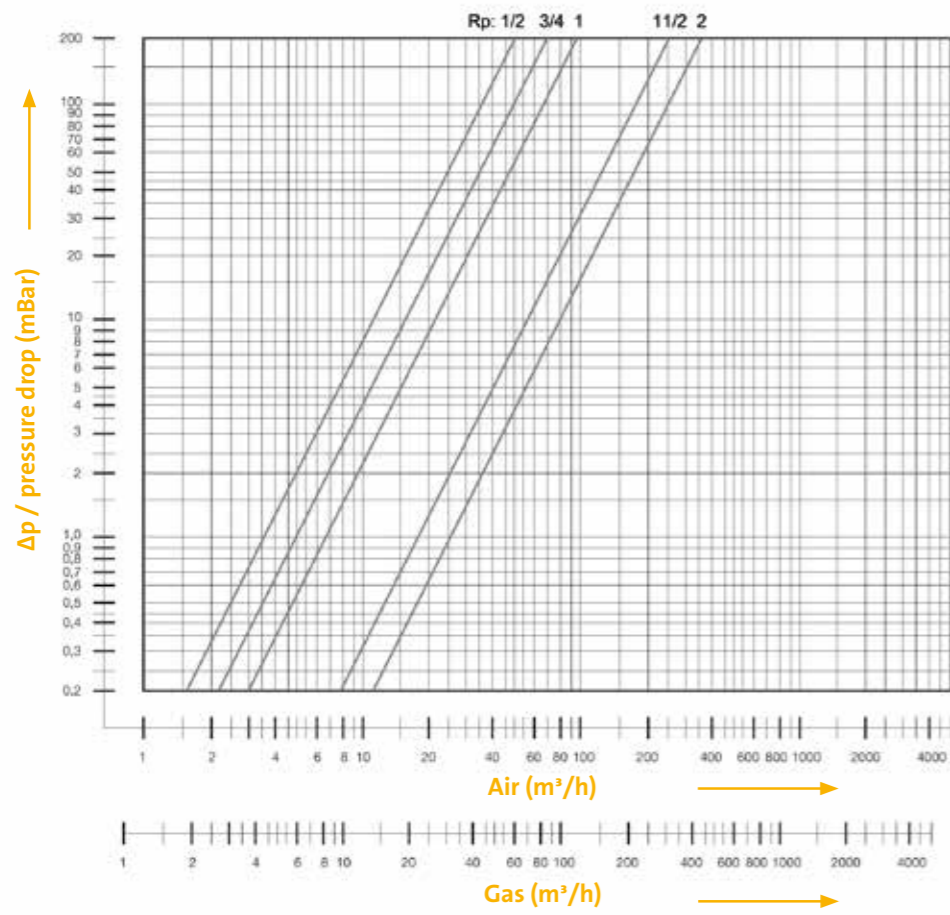
Outlet Pressure range for 6 Bar version

| Size | Range A | Range B | Range C | Range D |
|----------------|---------|---------|---------|---------|
| DN 15, 20 | 90-200 | 120-270 | 240-570 | 540-900 |
| DN 25 | 80-160 | 100-230 | 180-520 | 450-820 |
| DN 32 to DN 50 | 80-180 | 160-260 | 250-450 | 260-450 |
| DN 65 to DN 80 | 80-200 | 110-300 | 160-390 | – |
| DN 100 | 80-140 | 100-180 | 160-240 | – |

PERFECT SOLUTIONS BY GERMAN ENGINEERING

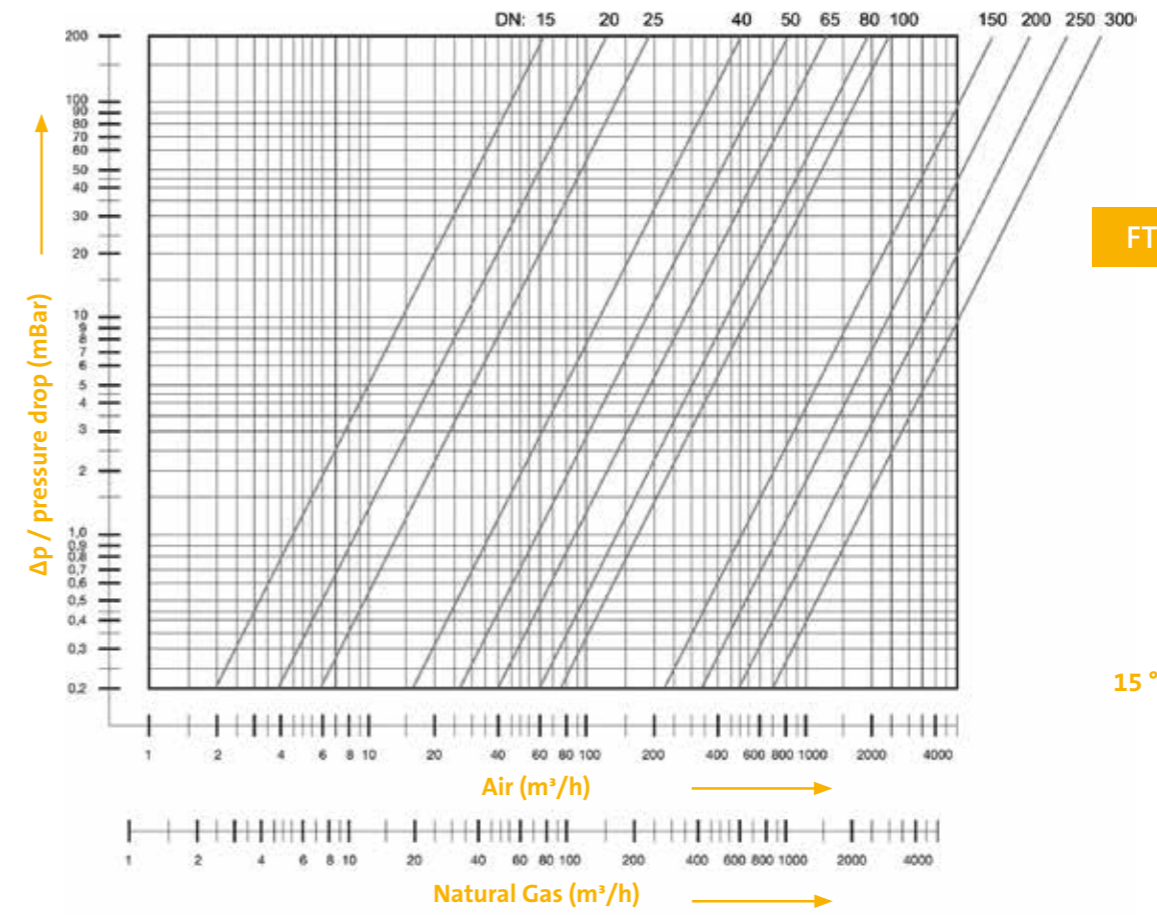
www.peters-indu.de

FLOW CHARTS



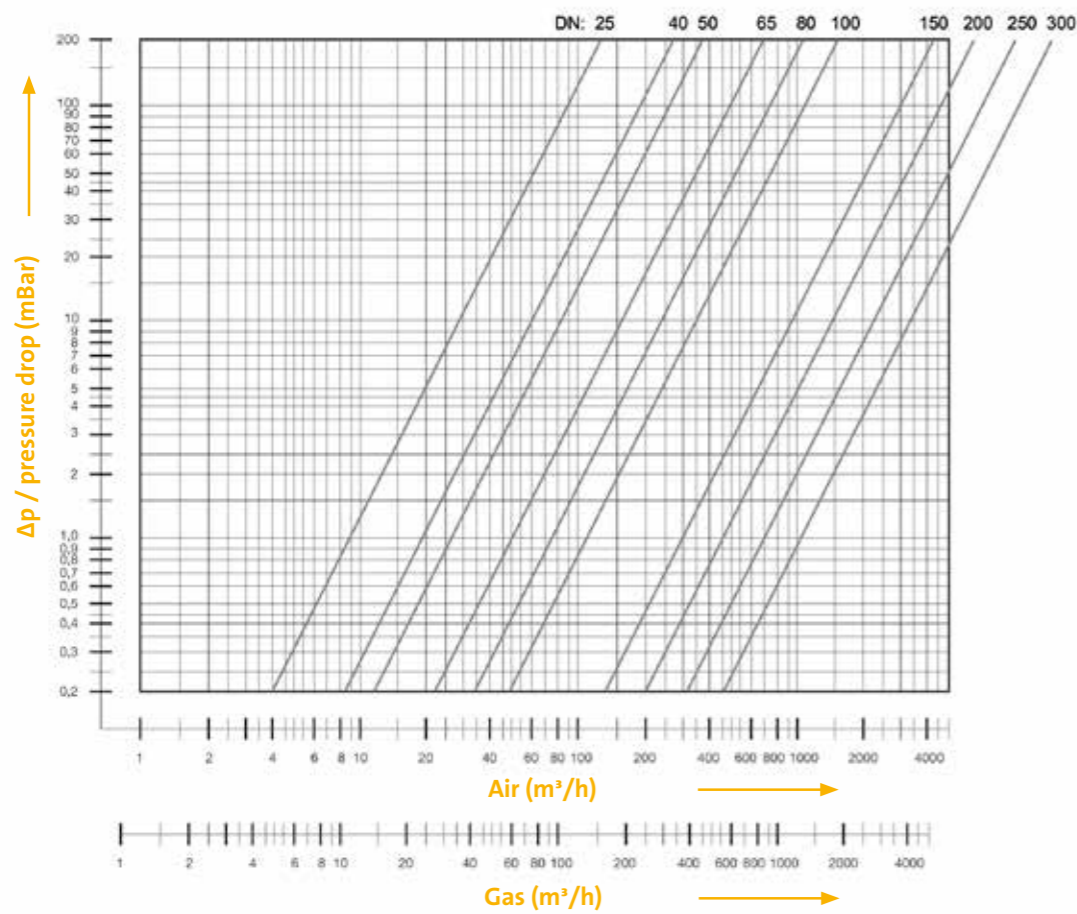
PH-THREAD

15 °C / 1013 mBar



FT-FLANGE

15 °C / 1013 mBar

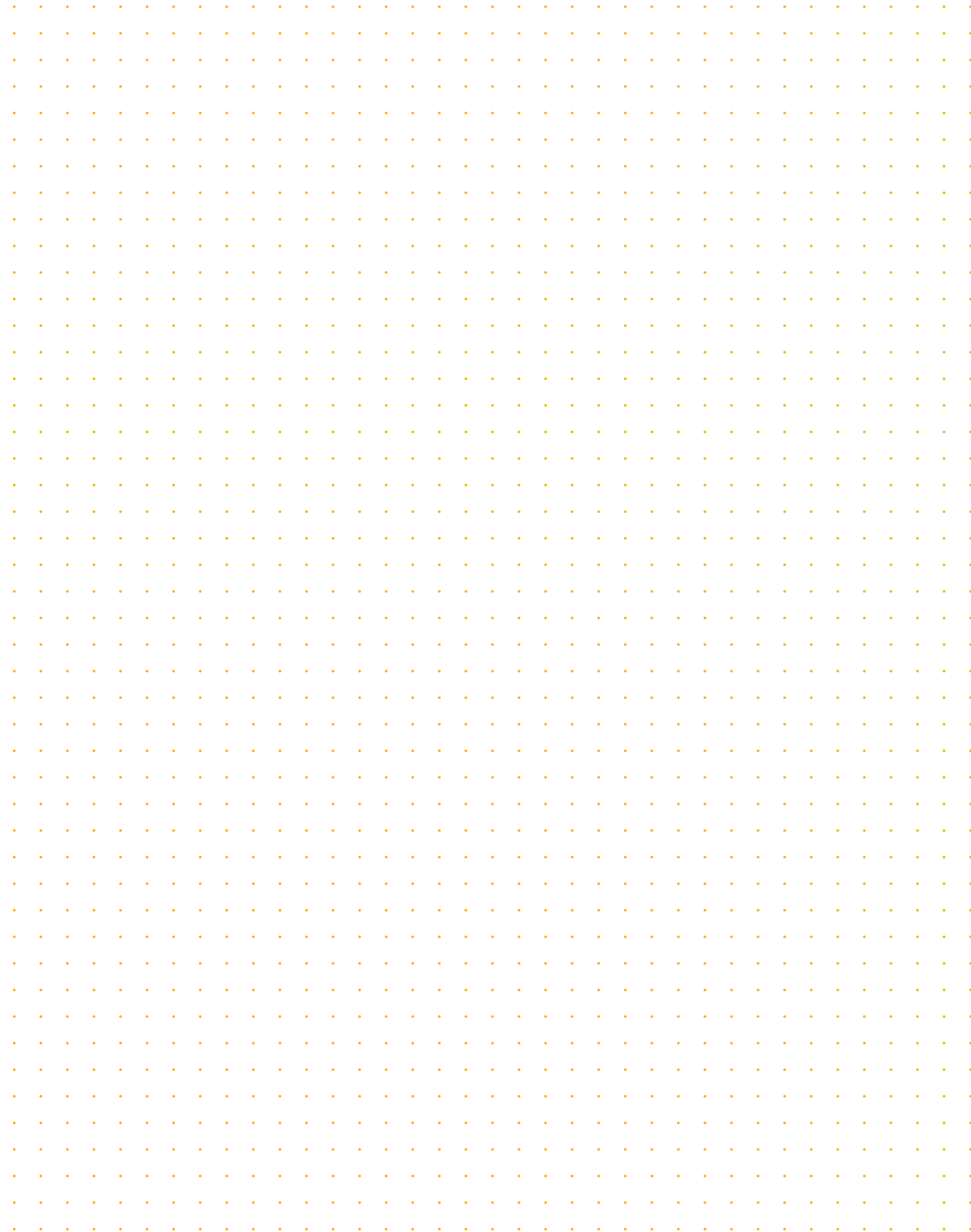


PH-FLANGE

15 °C / 1013 mBar

| INCH | DN | CONNECTION |
|--|--|--------------------|
| 1/2 3/4 | 15 20 | Threaded |
| 1 1 1/4 1 1/2 2 | 25 32 40 50 | Threaded or Flange |
| 2 1/2 3 4 5 6 8 10 12 | 65 80 100 125 150 200 250 300 | Flange |

NOTES



EXTRACT OF OUR PRODUCT PORTFOLIO



Connector DIN-EN | Valve Timer | Pressure Switch Electronic | Pressure Switch Hydraulic | Pressure Switch Pneumatic



Delphi Connector | Deutsch Connector | JPT Connector | ST3 Connector | Superseal Connector



Connector M12 | Connector M12 | M12 Actuator-/Sensor-Box | M8 Actuator-/Sensor-Box | Connector M12 Field attachable



Peters Indu-Produkt GmbH
Mercatorstrasse 41
46485 Wesel
Germany

T +49 (0)281.9546 0
F +49 (0)281.9546 30



info@peters-indu.de
www.peters-indu.de